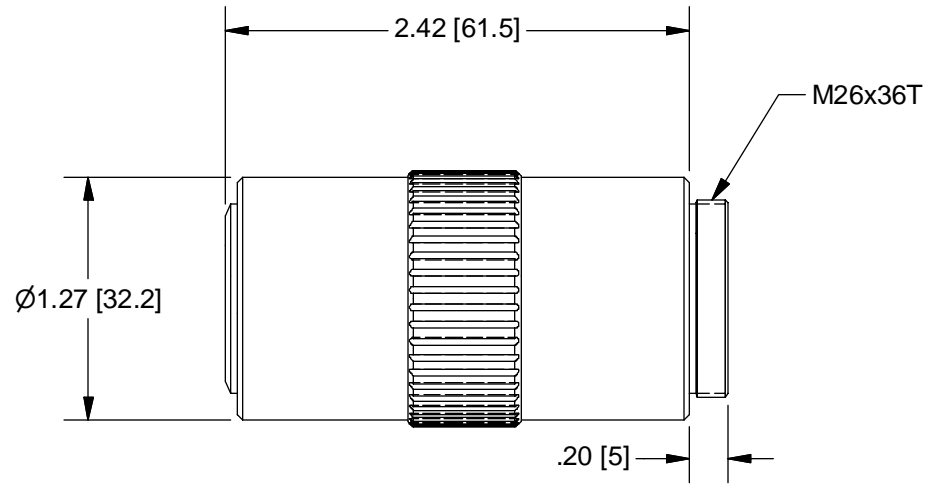


NA = 0.14  
 WD = 34.0mm



# OUTLINE

UNLESS OTHERWISE SPECIFIED DIMENSIONS ARE IN INCHES AND INCLUDE CHEMICALLY APPLIED OR PLATED FINISHES		THE CONTENTS OF THIS DOCUMENT ARE PROPRIETARY TO NAVITAR, ITS USE IS AUTHORIZED ONLY FOR RESPONDING TO REQUEST FOR QUOTATION OR PERFORMANCE OF WORK FOR NAVITAR				
SCALE:	1:1					OBJECTIVE, 5X, M-PLAN, APO
WEIGHT:	200 grams					
DR:	DJM					
CH:	PB					
PROJECT #:		DO NOT SCALE DRAWING		SIZE	1-60226	REV
DATE DR:	6/23/2003			A		SHEET 2 OF 2