

TEC V-SERIES TELECENTRIC LENS

- ▶ Compatible with 5MP sensors on 1" cameras
- ▶ Versatile four-lens lineup designed for 65mm and 110mm WD (working distance)
- ▶ 0.5x and 1.0x magnification options available
- ▶ Low TV distortion correction up to the furthest corner (0.01 ~ 0.02s%)

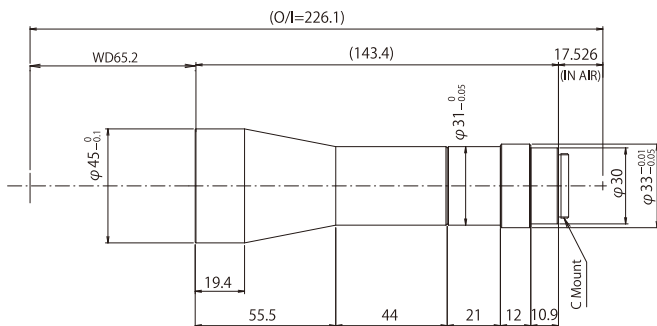
WD-65mm

TEC-V0565MPW



Model	TEC-V0565MPW	
Format	1"φ16mm	
Magnification	0.5x	
Working Distance	65.2mm	
Resolving Power *1	12μm	
Depth of Field *2	2.88mm	
NA	0.027	
Effective F number	9.0	
TV Distortion	-0.014%	

Field of View	1inch	25.6 x 19.2mm
	2/3inch	17.6 x 13.2mm
	1/1.8inch	14.4 x 10.8mm
	1/2inch	12.8 x 9.6mm
Mount	C-mount	
Weight	189g	

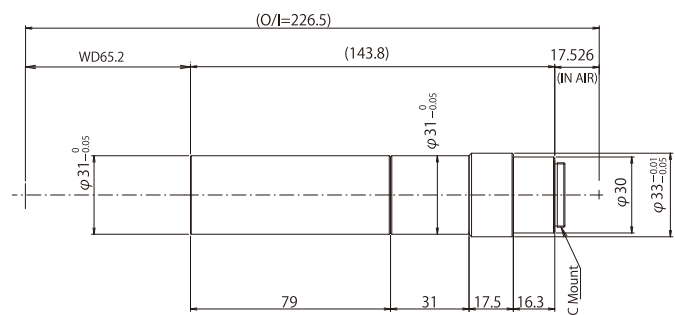


TEC-V1065MPW



Model	TEC-V1065MPW	
Format	1"φ16mm	
Magnification	1x	
Working Distance	65.2mm	
Resolving Power *1	6μm	
Depth of Field *2	0.72mm	
NA	0.055	
Effective F number	9.0	
TV Distortion	-0.023%	

Field of View	1inch	12.8 x 9.6mm
	2/3inch	8.8 x 6.6mm
	1/1.8inch	7.2 x 5.4mm
	1/2inch	6.4 x 4.8mm
Mount	C-mount	
Weight	158g	



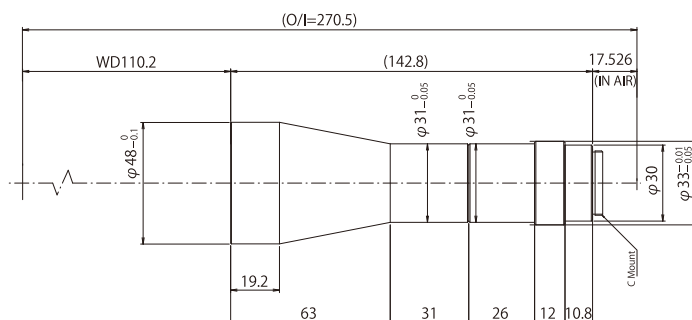
WD-110mm

TEC-V05110MPW



Model	TEC-V05110MPW	
Format	1"φ16mm	
Magnification	0.5x	
Working Distance	110.2mm	
Resolving Power *1	12μm	
Depth of Field *2	2.88mm	
NA	0.027	
Effective F number	9.0	
TV Distortion	0.012%	

Field of View	1inch	25.6 x 19.2mm
	2/3inch	17.6 x 13.2mm
	1/1.8inch	14.4 x 10.8mm
	1/2inch	12.8 x 9.6mm
Mount	C-mount	
Weight	197g	

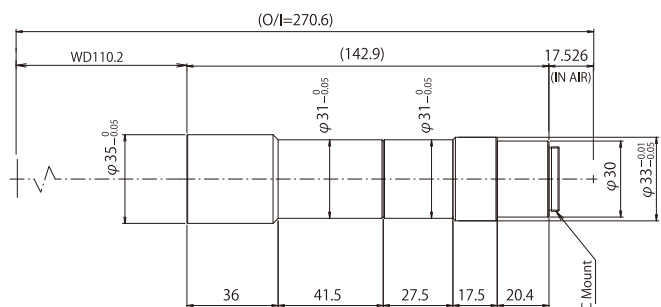


TEC-V10110MPW



Model	TEC-V10110MPW	
Format	1"φ16mm	
Magnification	1x	
Working Distance	110.2mm	
Resolving Power *1	6μm	
Depth of Field *2	0.72mm	
NA	0.055	
Effective F number	9.0	
TV Distortion	0.015%	

Field of View	1inch	12.8 x 9.6mm
	2/3inch	8.8 x 6.6mm
	1/1.8inch	7.2 x 5.4mm
	1/2inch	6.4 x 4.8mm
Mount	C-mount	
Weight	159g	



* 1 : Theoretical resolution calculated with a wavelength of 550nm
 * 2 : Value calculated with a permissible circle of confusion of 40μm