

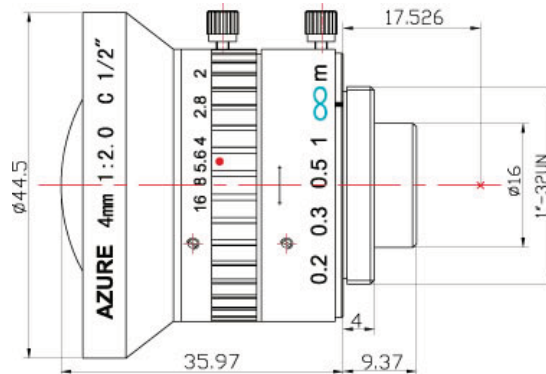
AZURE-0420MM



SPECIFICATIONS

Resolution:	100lp/mm (2MP)	
Format :	1/2"	
Mount :	C	
Focal Length:	4mm	
F/No :	F2.0~F16	
Back Focus :	8.77mm	
Iris Type :	Manual Iris	
Horizontal Angle :	1/2"	77.32°
	1/3"	61.93°
	1/4"	48.46°
Distortion :	<-2.8%	
Focusing Range:	∞ ~ 0.1m	
Coating Wavelength:	400nm~950nm	
Filter Thread :		
Dimension :	∅ 44.5 x 35.97mm	
Weight :	130g	

Dimension



MTF Curves

